

## **SECTION 7. PARTS INFORMATION**

### **7-1. INTRODUCTION**

This section lists the replaceable parts of the Henny Penny Evolution Elite® fryer.

### **7-2. GENUINE PARTS**

Use only genuine Henny Penny parts in your fryer. Using a part of lesser quality or substitute design may result in damage to the unit or personal injury.

### **7-3. WHEN ORDERING PARTS**

Once the parts that you want to order have been found in the parts list, write down the following information:

|             |                   |          |
|-------------|-------------------|----------|
| Item Number | <u>2</u>          | Example: |
| Part Number | <u>60241</u>      |          |
| Description | <u>High Limit</u> |          |

From the data plate, list the following information:

|                |              |          |
|----------------|--------------|----------|
| Product Number | <u>01100</u> | Example: |
| Serial Number  | <u>0001</u>  |          |
| Voltage        | <u>208</u>   |          |

### **7-4. PRICES**

Your distributor has a price parts list and will be glad to inform you of the cost of your parts order.

### **7-5. DELIVERY**

Commonly replaced items are stocked by your distributor and will be sent out when your order is received. Other parts will be ordered, by your distributor, from Henny Penny Corporation. Normally, these will be sent to your distributor within three working days.

### **7-6. WARRANTY**

All replacement parts (except lamps and fuses) are warranted for 90 days against manufacturing defects and workmanship. If damage occurs during shipping, notify the carrier at once so that a claim may be properly filed. Refer to warranty in the front of this manual for other rights and limitations.

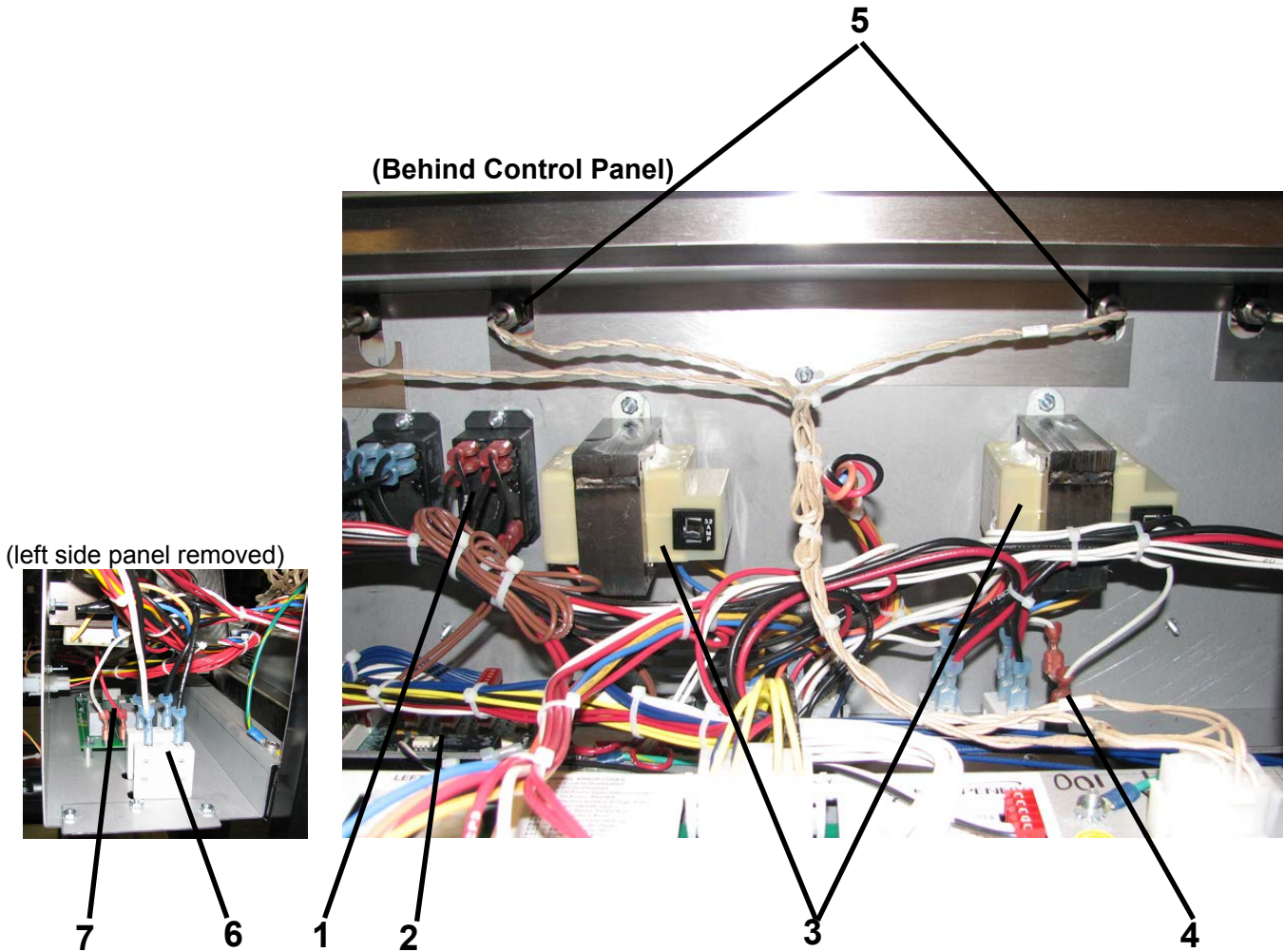
### **7-7. RECOMMENDED SPARE PARTS FOR DISTRIBUTORS**

Recommended replacement parts are indicated with A or B in the parts lists:

A = parts to be stocked on service vans or trucks

B = parts to be stocked at the distributor/KES location.

Inventory on all other parts not identified, should be based upon usage in the territory. Please use care when ordering recommended parts, because all voltages and variations are marked. Distributors should order parts based upon common voltages and equipment sold in their territory.

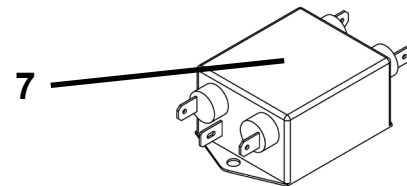
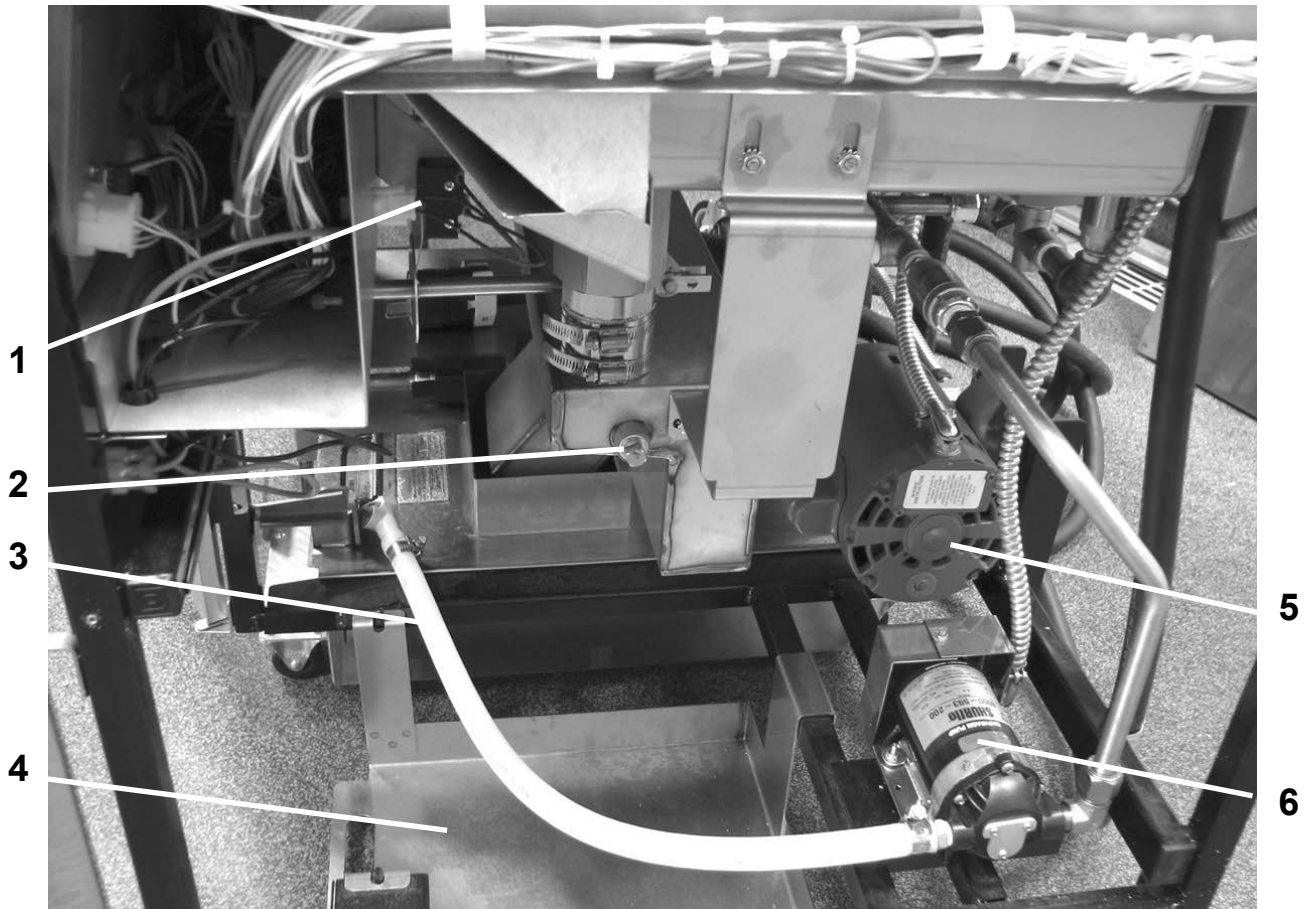


**Electrical Components**

ASSY-24V/208V 75VA  
TRANSFORMER  
Item No. Part No.

| Item No. | Part No. | Description  | Quantity |
|----------|----------|--|----------|
| B 1      | ME90-008 | RELAY - PUMP MOTOR- 12 VDC - 30 AMP .....            | AR       |
| B 2      | 84454RB  | PC BOARD - EXPRESS FILTER .....                      | 1        |
| A 3      | 140057   | KIT-TRANSFORMER - Before 11/25/2009 .....            | 1/vat**  |
| A 3      | 84134    | 24V/208V 75VA TRANSFORMER- 11/25/2009 & After.....   | 1/vat**  |
| A 3      | 140061   | KIT-TRANSFORMER - Before 11/25/2009 .....            | 1/vat**  |
| A 3      | 84135    | TRANSFORMER (CE) - 11/25/2009 & After. ....          | 1/vat**  |
| A 4      | EF02-104 | FUSE HOLDER - 20A-250V .....                         | 1        |
| A        | FA52-010 | FUSE - 1 AMP (208/240V FRYERS)before SN: BK0911009 . | 1        |
| A        | FA52-005 | FUSE - .5 AMP (208/240V FRYERS)SN: BK0911009 & after | 1        |
| A        | FA52-015 | FUSE - 1.5 AMP (380/400/415V FRYERS).....            | 1        |
| B 5      | 14974    | LEVEL SENSOR - PROBES - 2.5 in. ....                 | 2/vat    |
| A 6      | EF02-125 | BREAKER-PUSH BUTTON RESET - 15 AMP .....             | AR       |
| B 7      | 51065    | EMC FILTER PCB - CE .....                            | 1        |
| B 8*     | TS22-012 | TRANSFORMER - AUTO-LIFT .....                        | 1/WELL   |

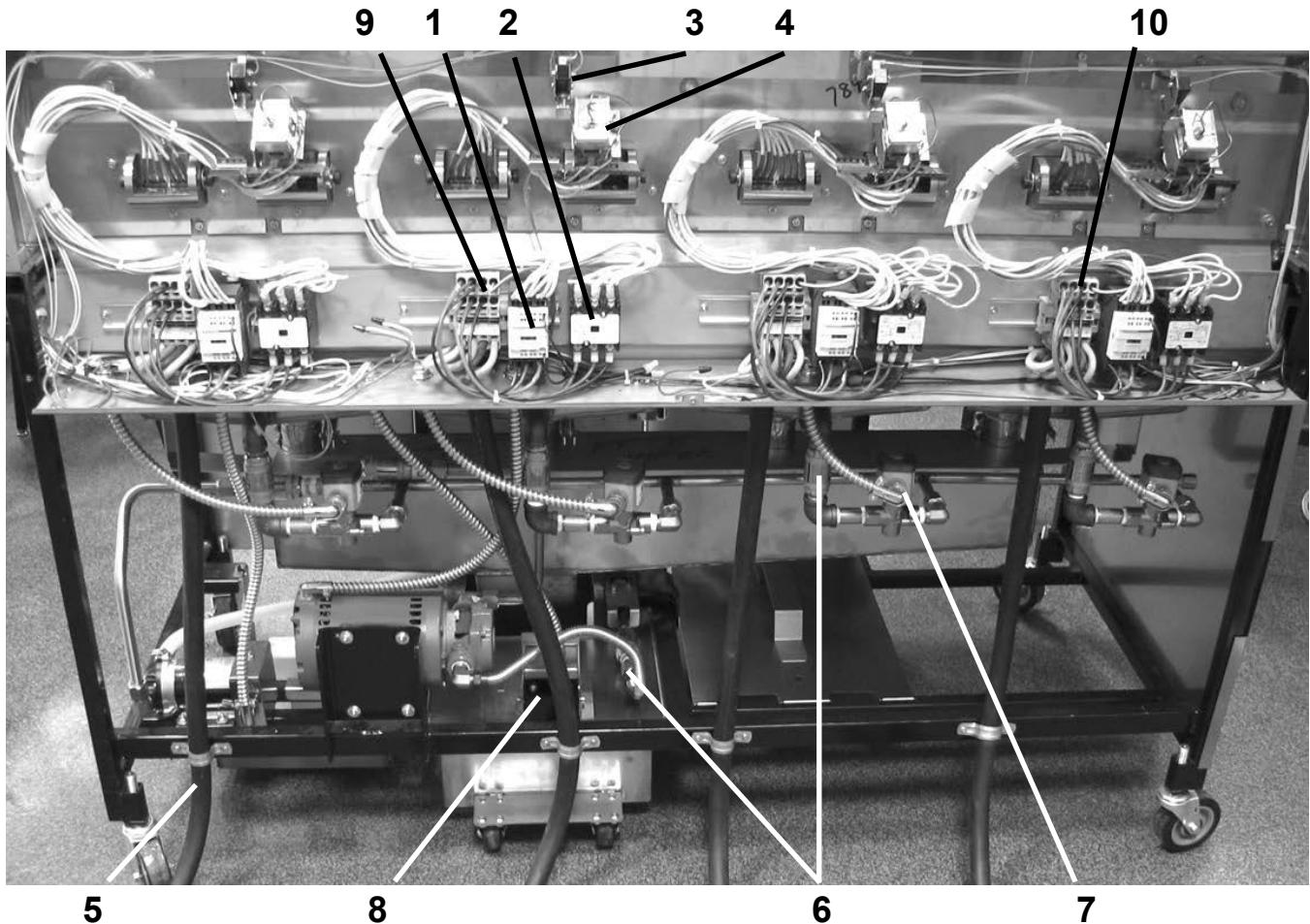
Recommend Parts: A=Truck Stock/B=Dist. Stock / \*not shown  
 \*\*Only wells with the Express Filter PC board behind the control panel (as shown) has 2 transformers  
 AR=As Required



Recommend Parts: A=Truck Stock/B=Dist. Stock

### Right Side Panel Removed

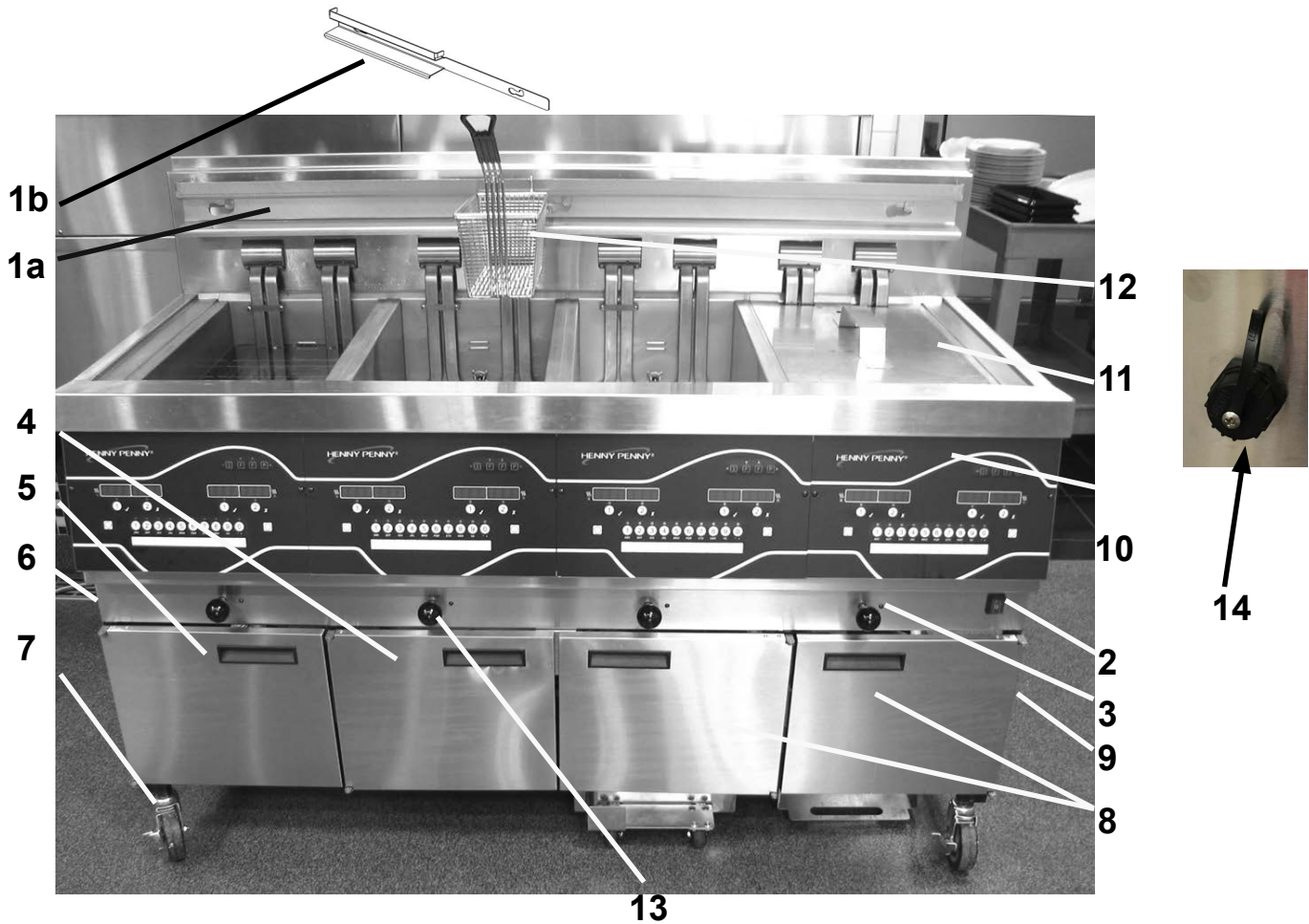
| Item No. | Part No. | Description                          | Quantity |
|----------|----------|--------------------------------------|----------|
| 1        | 81027    | ASSY - LEVER SWITCH & BRACKET .....  | 1/vat    |
| A        | 50764    | MICROSWITCH - RIGID LEVER.....       | 1/vat    |
|          | 81017    | HARNES LEVER SWITCH .....            | 1/vat    |
|          | 81495    | BRACKET - LEVER SWITCH MOUNTING..... | 1/vat    |
| 2        | FP01-099 | PLUG-PIPE 3/8 NPT SS .....           | 1        |
| B 3      | 81513    | ASSY - HOSE.....                     | 1        |
| 4        | 85966    | WELD ASSY - JIB SHELF .....          | 1        |
| 5        | 67589    | PUMP & MOTOR ASSY.....               | 1        |
| A        | 67583    | MOTOR - 1/2 HORSE.....               | 1        |
| B        | 17437    | PUMP - FILTER - EEE.....             | 1        |
| A        | 17476    | SEAL KIT .....                       | 1        |
| B 6      | 74583    | PUMP - OIL TOP OFF - 230V .....      | 1        |
| B 7      | 80728    | EMI FILTER - CE.....                 | 1        |



**Rear View**

| Item No. | Part No. | Description   | Quantity |
|----------|----------|---|----------|
| A 1      | 78753    | CONTACTOR - 24V COIL (Heat Contactor).....                    | 1/vat    |
| A 2      | 29509    | CONTACTOR - 24V COIL (Primary Contactor) .....                | 1/vat    |
| A 3      | 18227    | SWITCH - ELEMENT LIFT .....                                   | 1/vat    |
| A 4      | 140253   | KIT - HIGH LIMIT - 425 F .....                                | 1/vat    |
| 5        | 75381    | ASSY - POWER CORD - 208-240V-60 AMP.....                      | 1/vat    |
| 5        | 82087    | ASSY - POWER CORD - 208-240V-50 AMP.....                      | 1/vat    |
| 5        | 79364    | ASSY - CE POWER CORD .....                                    | 1/vat    |
| A 6      | 74469    | VALVE - CHECK - 1/2" (Vat Fill).....                          | 1/vat    |
| A 7      | 74582    | VALVE - SOLENOID 220-240V - 1/2N (Vat Fill Solenoids) .....   | 1/vat    |
|          | 140229   | KIT- SOLENOID REPAIR.....                                     | A/R      |
| A 8      | 80148    | ASSY-DRAIN SWITCH W/BOOT .....                                | 1        |
| B 9      | 78702    | ASSY - TERMINAL BLOCK - DOM.....                              | 1/vat    |
| B 9      | 86835    | ASSY-TERM. BLOCK-DOM-EEE-141 ONLY (inside junction box)...    | 1        |
| B 9      | 65427    | ASSY-TERM. BLOCK - CE - EEE-141 ONLY (inside junction box)... | 1        |
| B 9      | 78705    | ASSY-TERMINAL BLOCK-INT'L (LEFT VAT ONLY-before July 2010)    | 1        |
| B 9      | 78706    | ASSY-TERMINAL BLOCK-INT'L (ALL BUT LEFT VAT) .....            | 1/vat    |
| B 10     | 87033    | ASSY-TERMINAL BLOCK-DOM (LEFT VAT ONLY-July 2010 & after)     | 1        |
| B 10     | 87034    | ASSY-TERMINAL BLOCK-INT'L(LEFT VAT ONLY-July 2010 & after)    | 1        |

Recommend Parts: A=Truck Stock/B=Dist. Stock \*not shown



**Front View**

| Item No. | Part No. | Description                                   | Quantity |
|----------|----------|---|----------|
| 1a       | 85520    | HANGER-BASKET - EEE-141 .....                 | 1        |
| 1a       | 77842    | HANGER-BASKET - EEE-142 .....                 | 1        |
| 1a       | 77709    | HANGER-BASKET - EEE-143 .....                 | 1        |
| 1a       | 77934    | HANGER-BASKET - EEE-144 .....                 | 1        |
| 1b       | 91164    | HANGER-BASKET - EEE-142 Auto-Lift .....       | 1        |
| A 2      | 52224    | SWITCH - POWER .....                          | 1        |
| B 3      | 81980    | LED - 5 mm BLUE .....                         | 1/vat    |
| 4        | 81185    | ASSY-LH DOOR .....                            | 1        |
| 5        | 81847    | ASSY-LH DOOR - EEE-144 ONLY .....             | 1        |
|          |          | (See door breakdown on next page)             |          |
| 6        | 74460    | PANEL - LH SIDE .....                         | 1        |
| 7        | 77575    | CASTER - 4" - W/BRAKE .....                   | 2        |
| 8        | 81190    | ASSY - RH DOOR .....                          | 1 or 2   |
|          |          | (See door breakdown on next page)             |          |
| 9        | 74461    | PANEL - RH SIDE .....                         | 1        |
| B 10     | 81943RB  | ASSY - EEE14X CONTROL .....                   | +        |
| B 10     | 84417RB  | ASSY - EEE14X AUTO-LIFT CONTROL .....         | +        |
| B 10     | 140402   | KIT-EEX CONTROL W/THUMB DRIVE (Smart Touch) . | +        |
| 11       | 03623    | WELD ASSY - COVER - SPLIT VAT .....           | 1/vat    |
| 11       | 03624    | WELD ASSY - COVER - FULL VAT .....            | 1/vat    |

..... Continued next page

+ EEE141=1; EEE142=2; EEE143=3; EEE144=4

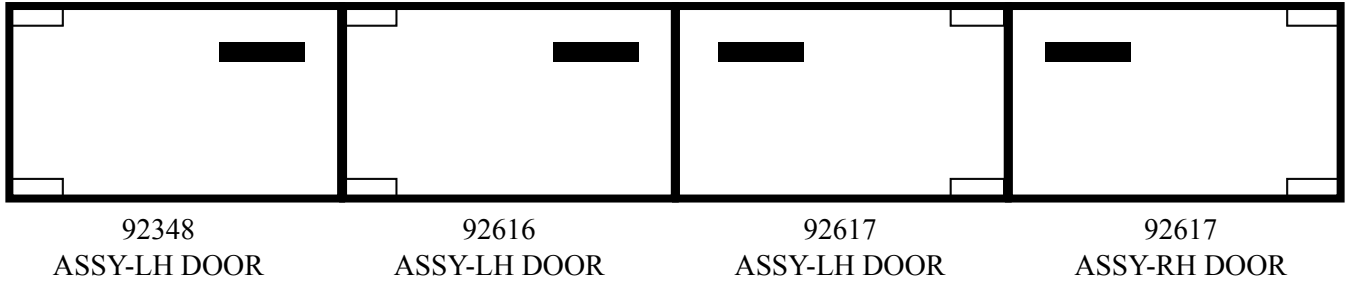
Recommend Parts: A=Truck Stock/B=Dist. Stock

**Front View (Continued)**

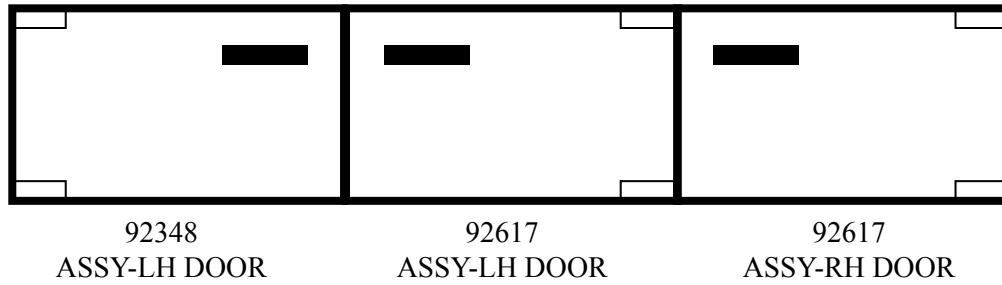
| <b>Item No.</b> | <b>Part No.</b> | <b>Description</b>                          | <b>Quantity</b> |
|-----------------|-----------------|---|-----------------|
| 12              | 81915           | BASKET - 1/2 SIZE - COATED HANDLE.....      | 2/vat           |
| 12              | 83449           | BASKET-1/2 SIZE-TIERED-FRONT/REAR HOOK .... | 2/vat           |
| 12              | 86907           | BASKET-1/2 DIVIDED-FRONT HOOK .....         | 2/vat           |
| 12              | 85136           | BASKET-FULL SIZE-COATED HANDLE .....        | 1/vat           |
| 13              | 16101           | KNOB - SPINDLE - BLACK.....                 | 1/vat           |
| 14              | 152487          | CABLE-USB PORT AND .....                    | 1/vat           |
| 14              | 152488          | CAP-USB.....                                | 1/vat           |
| 15*             | 77679           | CASTER - 4" .....                           | 2               |
| 16*             | 140119          | KIT-FDS210 TO EEE141 JOINING .....          | 1               |
| 16*             | 140051          | KIT-FDS210 TO EEE142 JOINING .....          | 1               |
| 16*             | 140052          | KIT-FDS210 TO EEE143/144 JOINING .....      | 1               |

\*not shown

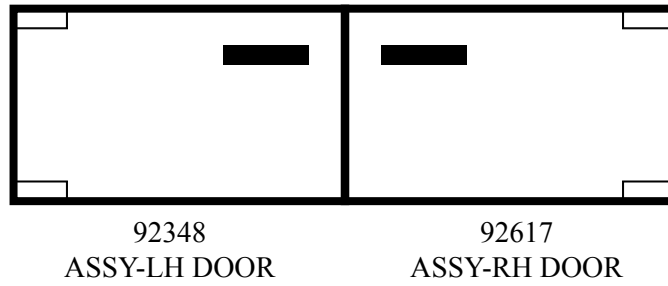
**EEE-144 Door Break Down**



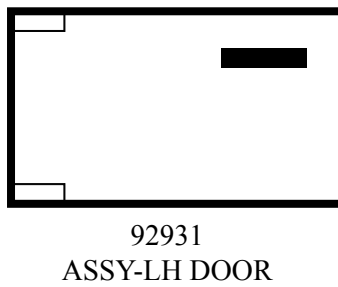
**EEE-143 Door Break Down**



**EEE-142 Door Break Down**

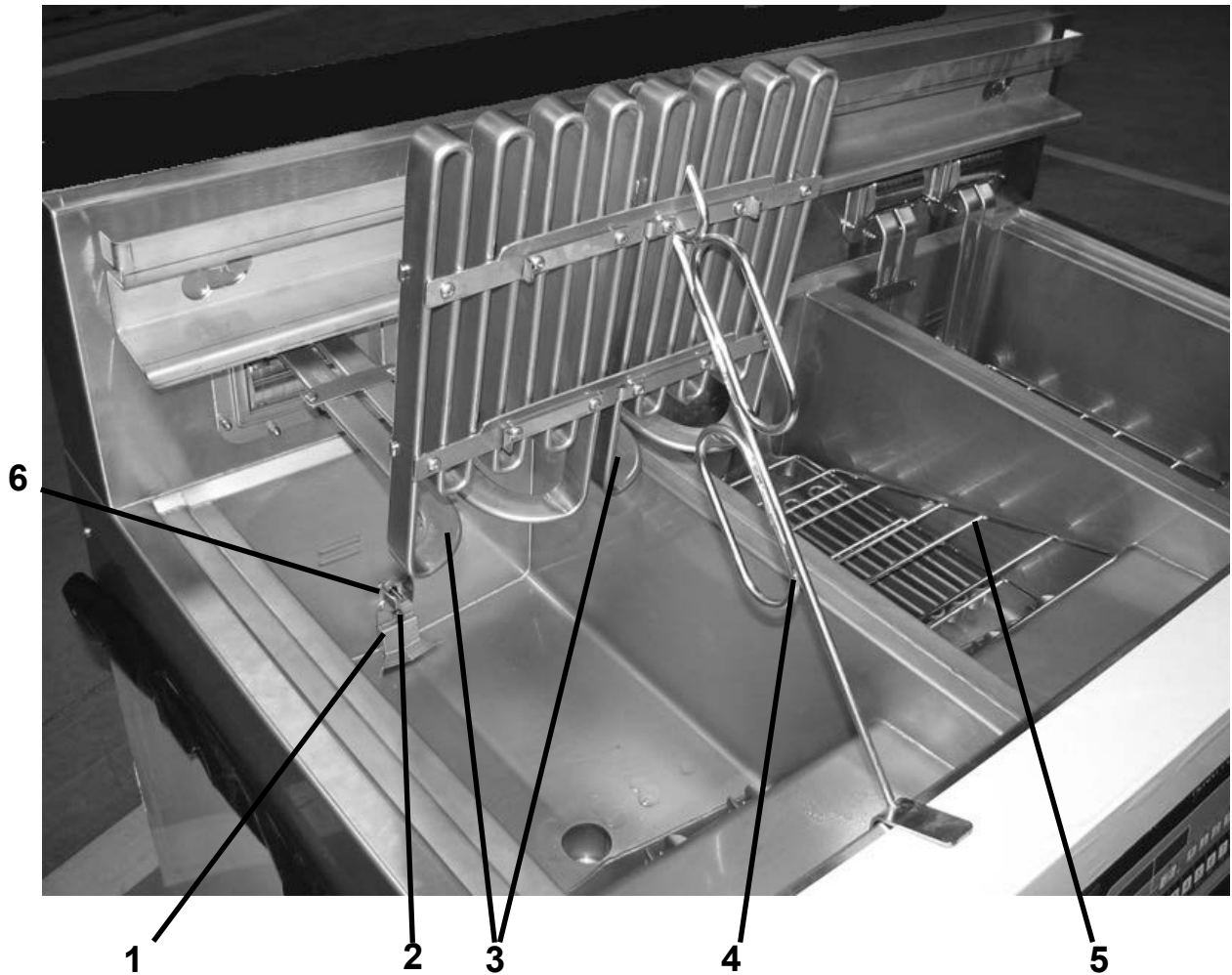


**EEE-141 Door Break Down**



| <b>Door Hinge Chart</b> |                              |                             |                                |                                 |                |
|-------------------------|------------------------------|-----------------------------|--------------------------------|---------------------------------|----------------|
| <b>Door</b>             | <b>Top Hinge<br/>(Frame)</b> | <b>Top Hinge<br/>(Door)</b> | <b>Bottom Hinge<br/>(Door)</b> | <b>Bottom Hinge<br/>(Frame)</b> | <b>Bushing</b> |
| 92931                   | 92080                        | 92342                       | 92340                          | 92079                           | 39752          |
| 92348                   | 92080                        | 92342                       | 92340                          | 92079                           | 39752          |
| 92617                   | 92620                        | 92618                       | 92619                          | 92621                           | 39752          |
| 92616                   | 92080                        | 92342                       | 92340                          | 92079                           | 39752          |

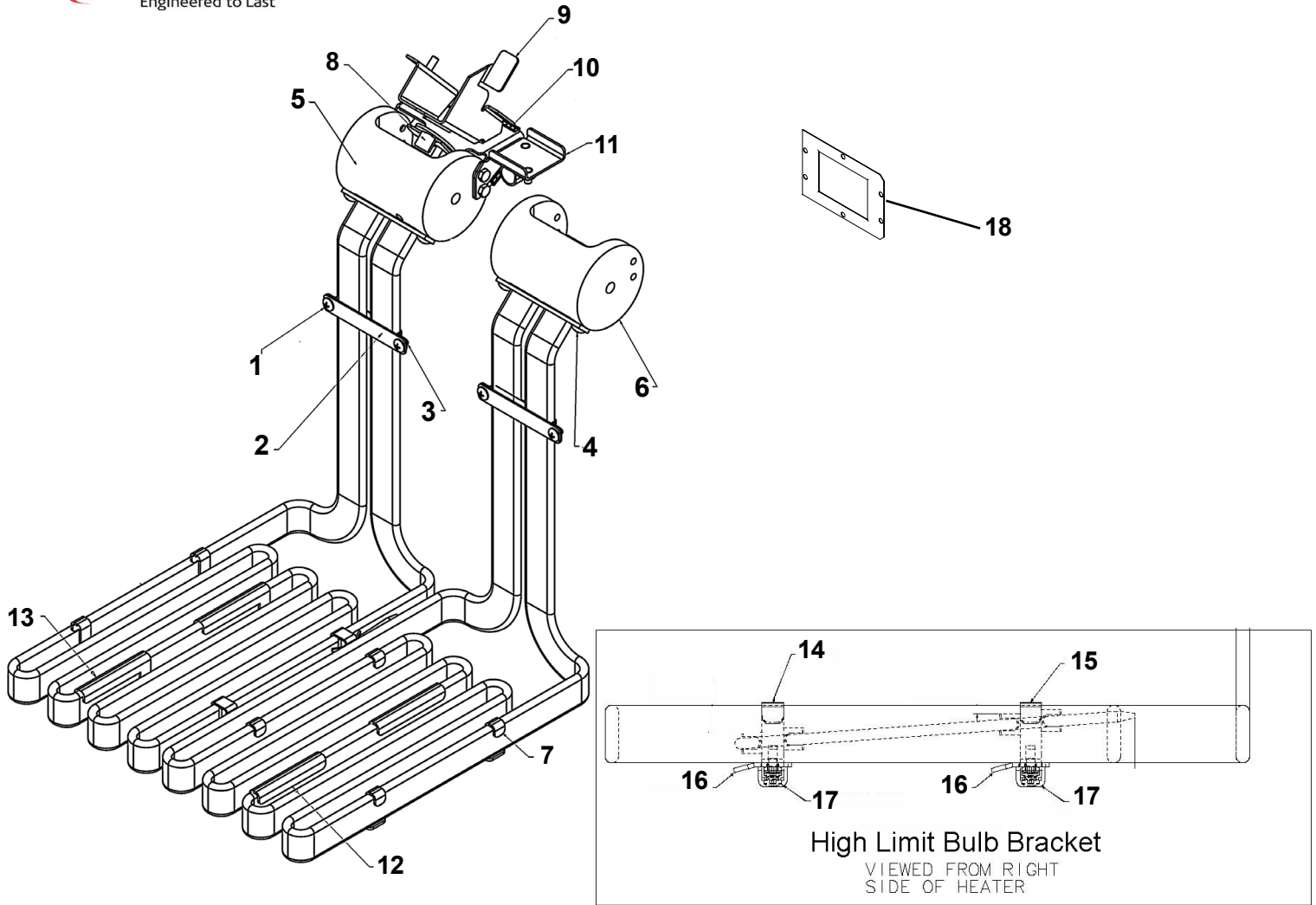




**Top View**

| Item No. | Part No.  | Description                         | Quantity        |
|----------|-----------|-------------------------------------|-----------------|
| 1        | 77838     | WELD ASSY- LOW OIL DIVERTER .....   | 1/vat           |
| 2        | NS03-044  | NUT - ACORN - #10-24 - SS .....     | 1/vat           |
| B 3      | 78484-001 | ELEMENT-HEATING - 7 KW-208V .....   | 2/full; 1/split |
| B 3      | 78484-002 | ELEMENT-HEATING - 7 KW-230V .....   | 2/full; 1/split |
| B 3      | 78484-003 | ELEMENT-HEATING - 7 KW-480V .....   | 2/full; 1/split |
| B 3      | 78484-004 | ELEMENT-HEATING - 7 KW-200V .....   | 2/full; 1/split |
| B 3      | 78484-005 | ELEMENT-HEATING - 7 KW-220V .....   | 2/full; 1/split |
| B 3      | 78484-006 | ELEMENT-HEATING - 7 KW-240V .....   | 2/full; 1/split |
| B 3      | 86731-001 | ELEMENT-HEATING - 8.5 KW-208V ..... | 2/full; 1/split |
| B 3      | 86731-002 | ELEMENT-HEATING - 8.5 KW-220V ..... | 2/full; 1/split |
| B 3      | 86731-003 | ELEMENT-HEATING - 8.5 KW-230V ..... | 2/full; 1/split |
| B 3      | 86731-004 | ELEMENT-HEATING - 8.5 KW-240V ..... | 2/full; 1/split |
| B 4      | 74725     | HANDLE - ELEMENT LIFT .....         | 1               |
| B 5      | 84362     | RACK - SPLIT VAT .....              | 1/vat           |
| B 5      | 74916     | RACK - FULL VAT .....               | 1/vat           |
| A 6      | 14984     | PROBE - TEMPERATURE .....           | 1/vat           |

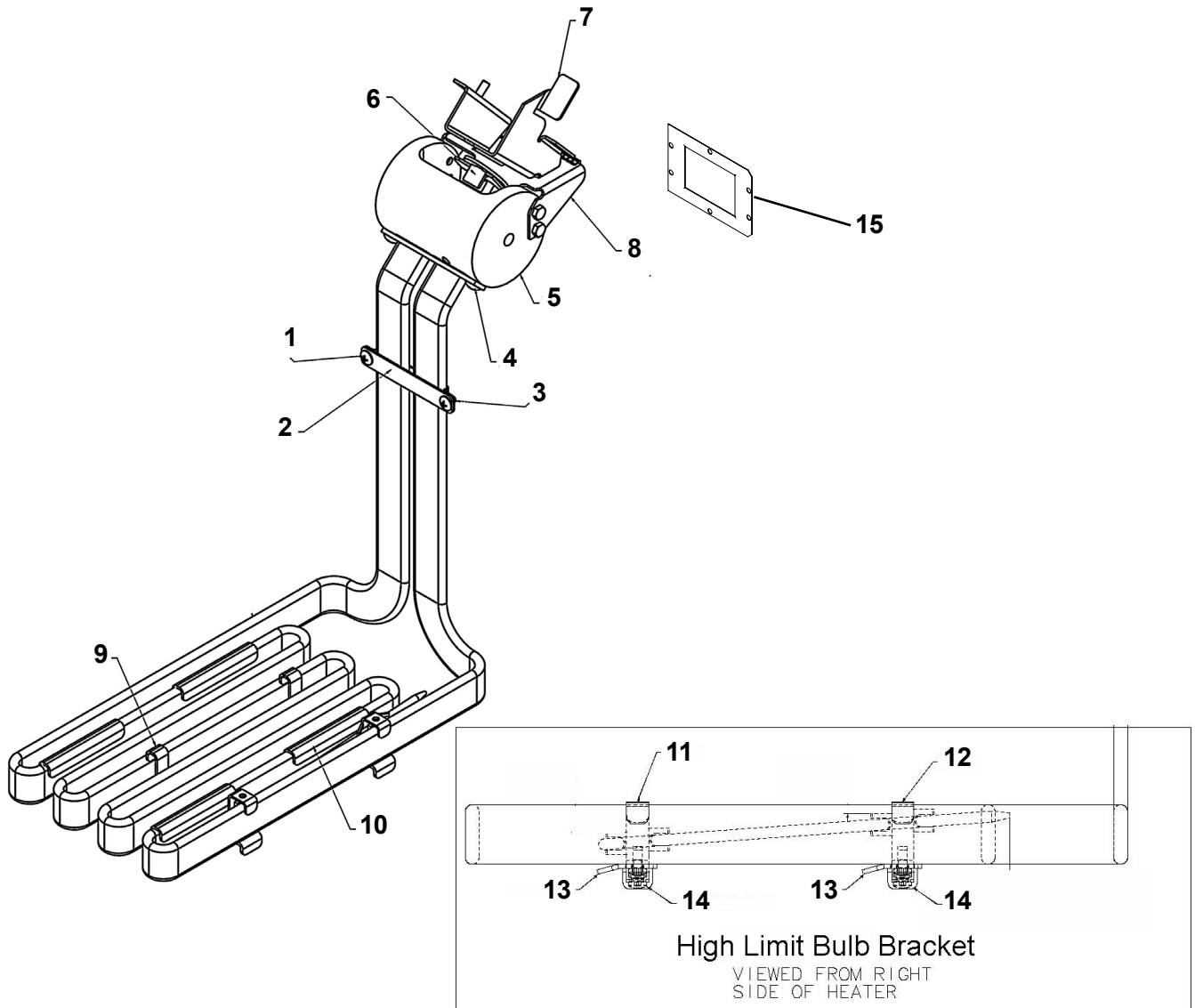
Recommend Parts: A=Truck Stock/B=Dist. Stock \*not shown



| Item No. | Part No. | Description   | Quantity  |
|----------|----------|---|-----------|
| 1        | SC01-076 | SCREW #8-32 X 1/4 PH THD S.....                       | 2/vat     |
| 2        | 75819    | PLATE - FRONT CAPILLARY.....                          | 1/vat     |
| 3        | 75818    | PLATE - REAR CAPILLARY.....                           | 1/vat     |
| 4        | SC01-074 | SCREW #10-32 X 1/2 PH THD S.....                      | 4/vat     |
| 5        | 74209    | HOUSING - ELEMENT PIVOT.....                          | 1/vat     |
| 6        | 82459    | HOUSING - ELEMENT PIVOT - RH FULL.....                | 1/vat     |
| 7        | 78499    | STRAP - SPREADER.....                                 | 6/vat     |
| 8        | 73713    | WELD ASSY - HI LIMIT RESET PIN.....                   | 1/vat     |
| 9        | 77147    | WELD ASSY - PIVOT HI LIMIT BRACKET.....               | 1/vat     |
| 10       | 78780    | BRACKET - HI LIMIT MOUNTING.....                      | 1/vat     |
| 11       | 78896    | STUD ASSY - GRND & WIRE MOUNTING.....                 | 1/vat     |
| 12       | 85735    | STRAP - SPREADER RH-EEE 14X-SN:BK0912003 & after..... | 2/vat     |
| 13       | 85736    | STRAP - SPREADER LH-EEE 14X-SN:BK0912003 & after..... | 2/vat     |
| 14       | 78614    | GUARD - FULL FRONT HI LIMIT.....                      | 1/vat     |
| 15       | 78615    | GUARD - FULL REAR HI LIMIT.....                       | 1/vat     |
| 16       | 78494    | WELD ASSY - SPREADER - FULL.....                      | 2/vat     |
| 17       | SC04-003 | SCREW #8-32 X 3/8 PH PHD S.....                       | 12/vat    |
| B 18     | 76964    | GASKET - PIVOT HUB.....                               | 2/vat     |
| A 19*    | OR01-004 | O-RING (Fits on element against items #5 & 6).....    | 2/element |

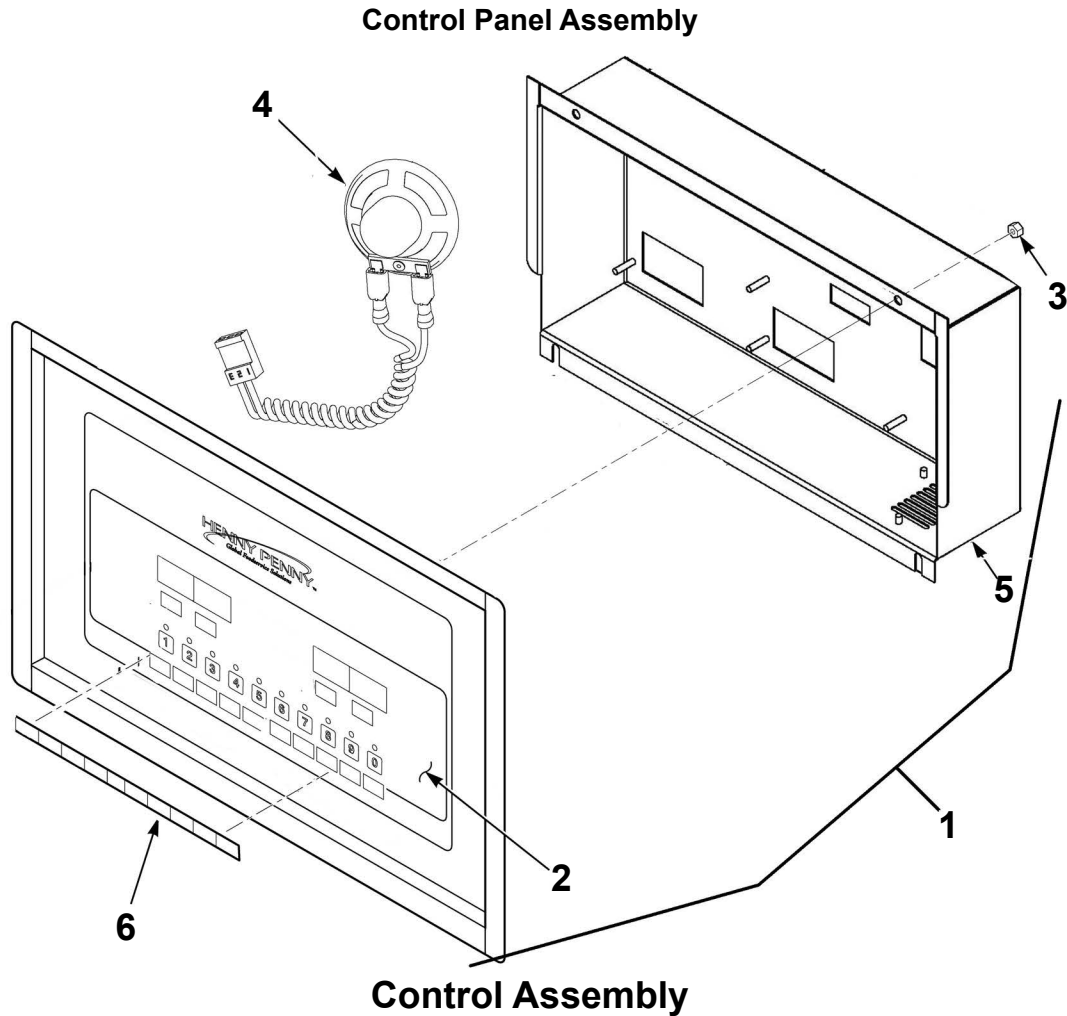
Recommend Parts: A=Truck Stock/B=Dist. Stock

\*not shown



| Item No. | Part No. | Description   | Quantity  |
|----------|----------|---|-----------|
| 1        | SC01-076 | SCREW #8-32 X 1/4 PH THD S .....                    | 2/vat     |
| 2        | 75819    | PLATE - FRONT CAPILLARY .....                       | 1/vat     |
| 3        | 75818    | PLATE - REAR CAPILLARY .....                        | 1/vat     |
| 4        | SC01-074 | SCREW #10-32 X 1/2 PH THD S .....                   | 2/vat     |
| 5        | 74209    | HOUSING - ELEMENT PIVOT .....                       | 1/vat     |
| 6        | 73713    | WELD ASSY - HI LIMIT RESET PIN .....                | 1/vat     |
| 7        | 77147    | WELD ASSY - PIVOT HI LIMIT BRACKET .....            | 1/vat     |
| 8        | 78780    | BRACKET - HI LIMIT MOUNTING.....                    | 1/vat     |
| 9        | 78499    | STRAP - SPREADER .....                              | 4/vat     |
| 10       | 85735    | STRAP - SPREADER RH-EEE 14X-SN:BK0912003 & after    | 4/vat     |
| 11       | 78601    | GUARD - FULL FRONT HI LIMIT .....                   | 1/vat     |
| 12       | 78602    | GUARD - FULL REAR HI LIMIT .....                    | 1/vat     |
| 13       | 78617    | WELD ASSY - SPREADER - FULL .....                   | 2/vat     |
| 14       | SC04-003 | SCREW #8-32 X 3/8 PH PHD S .....                    | 6/vat     |
| B 15     | 76964    | GASKET - PIVOT HUB .....                            | 1/vat     |
| A 16*    | OR01-004 | O-RING (Fits on element against items #5 & 6) ..... | 2/element |

Recommend Parts: A=Truck Stock/B=Dist. Stock / \*not shown

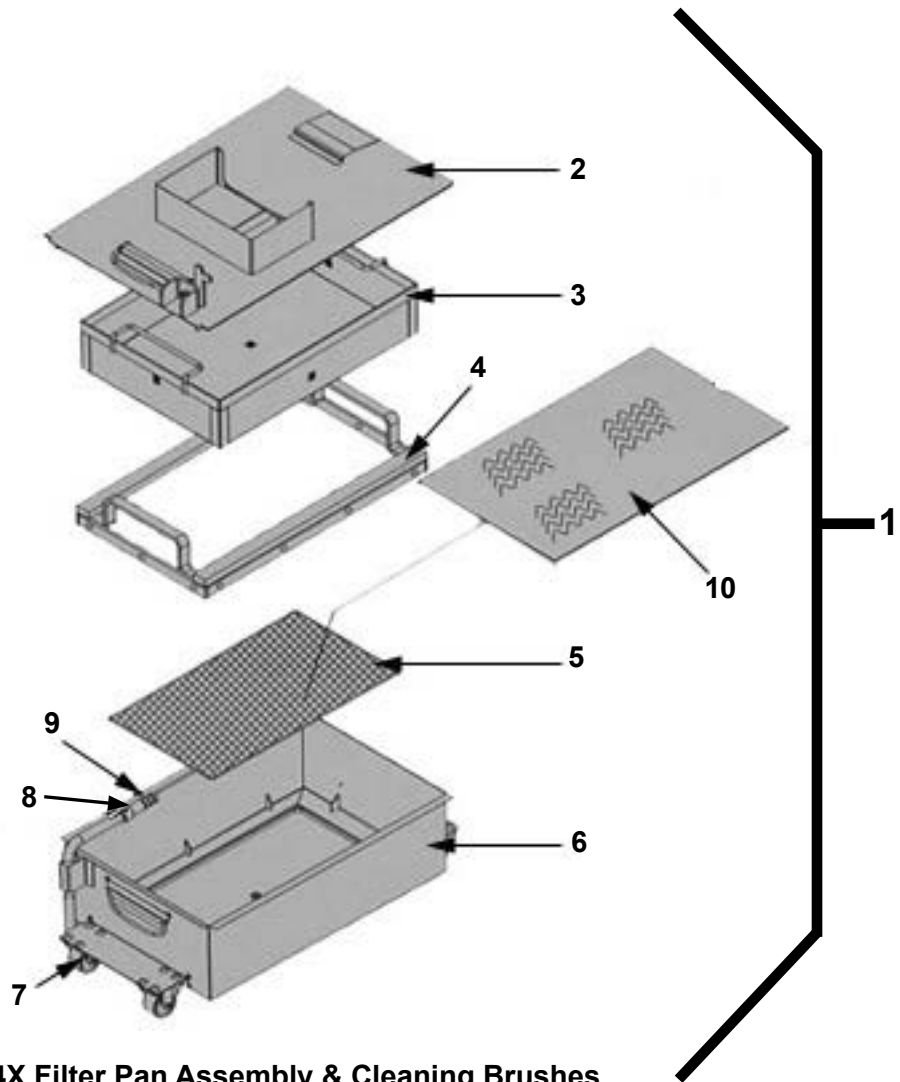


| Item No. | Part No. | Description                            | Quantity   |
|----------|----------|--|------------|
| B 1      | 81943RB  | ASSY - EEE14X CONTROL .....            | +          |
| B 1      | 84417RB  | ASSY - EEE14X AUTO-LIFT CONTROL.....   | +          |
| 2        | 81354    | DECAL - EVOLUTION ELITE® CONTROL ..... | 1/control  |
| 2        | 83206    | DECAL - EE AUTO-LIFT CONTROL.....      | 1/control  |
| 3        | NS02-005 | NUT - HEX KEPS #6-32 C .....           | 23/control |
| B 4      | 26974    | ASSY - SPEAKER .....                   | 1/control  |
| 5        | 82085    | STUD ASSY - CONTROL PANEL COVER .....  | 1/control  |
| 6        | 81613    | MENU CARD - BLANK - EVOLUTION .....    | 1/control  |
| A 7*     | MS01-571 | TOOL - TERMINAL EXTRACTOR .....        | 1          |
| 8*       | 84910    | ASSY - MMC/SD EVENT LOGGER.....        | 1          |

Recommend Parts: A=Truck Stock/B=Dist. Stock

\*not shown

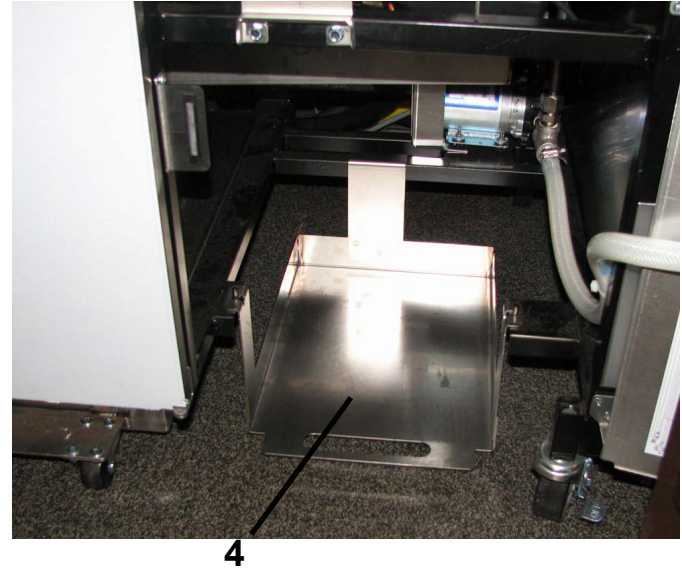
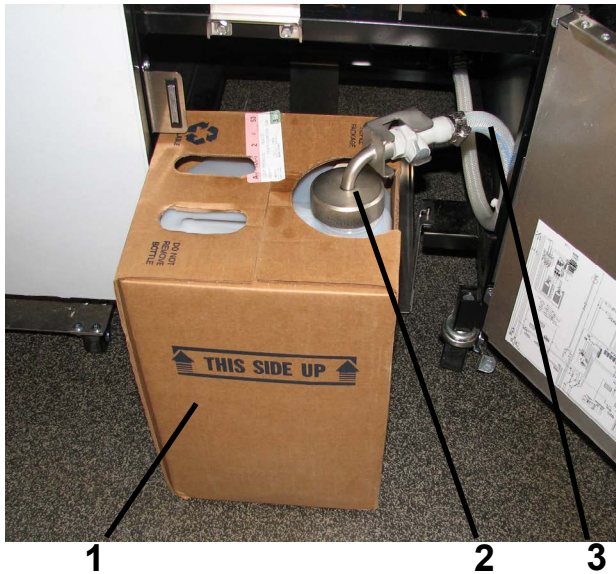
+ EEE141=1; EEE142=2; EEE143=3; EEE144=4



**EEE-14X Filter Pan Assembly & Cleaning Brushes**

| Item No. | Part No. | Description                                      | Quantity |
|----------|----------|--|----------|
| 1        | 77531    | ASSY - DRAIN PAN.....                            | 1        |
| 1        | 87609    | ASSY - DRAIN PAN - <b>EEE-141 Only</b> .....     | 1        |
| 2        | 82673    | ASSY-DRAIN PAN COVER.....                        | 1        |
| 2        | 82674    | ASSY-DRAIN PAN COVER - <b>EEE-141 Only</b> ..... | 1        |
| 3        | 76259    | WELD ASSY-CRUMB CATCHER.....                     | 1        |
| 4        | 76179    | WELD ASSY-FILTER WEIGHT.....                     | 1        |
| 5        | 76375    | FILTER-SECTION.....                              | 1        |
| 6        | 82672    | WELD ASSY-DRAIN PAN.....                         | 1        |
| 7        | 52487    | CASTER - FILTER PAN.....                         | 4        |
| 8        | 74573    | ADAPTOR - PUMP TO PICKUP TUBE.....               | 1        |
| A 9      | 74189    | O-RING-PICKUP TUBE.....                          | 3        |
| B 10     | 12074    | SMART FILTER PAD - 30 COUNT-.....                | 1        |
| B 10     | 12076    | SMART FILTER PAPER - 100 COUNT-.....             | 1        |
| B 10     | 12078    | FILTER EE PLEATED DUAL LAYER - 30 COUNT-.....    | 1        |
| B 11     | 12126    | BRUSH - BLACK L.....                             | 1        |
| B 12     | 12112    | BRUSH - STRAIGHT WHITE.....                      | 1        |
| B 13     | 12116    | BRUSH - FRYER - LONG HANDLE.....                 | 1        |
| 14*      | 03671    | 240V - GM SEMI-SOLID OIL MELTER.....             | 1        |
| 14*      | 03675    | 120v - GM SEMI-SOLID OIL MELTER.....             | 1        |

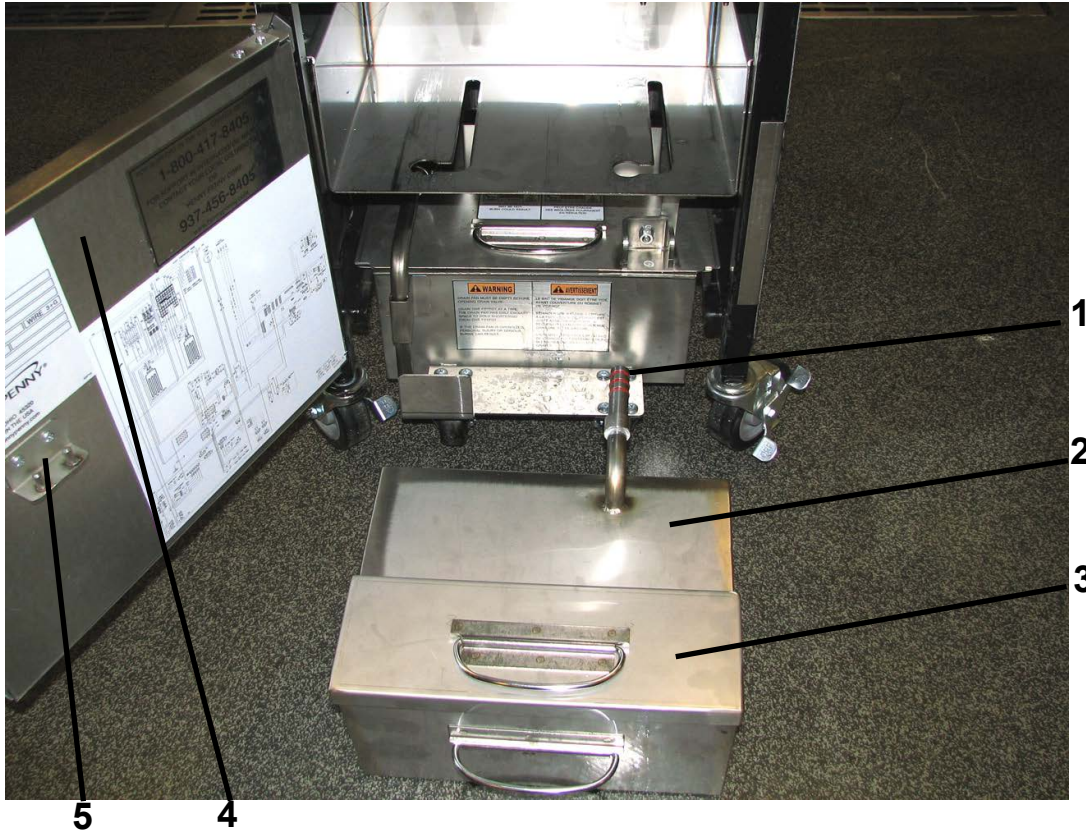
Recommend Parts: A=Truck Stock/B=Dist. Stock \*not shown



**JIB System - EEE-142, 143, 144**

| Item No. | Part No. | Description                              | Quantity |
|----------|----------|--|----------|
| 1        | 03617    | ACCESSORY-JUG-AUTO TOP OFF (EMPTY) ..... | 1        |
| B 2      | 78992    | ASSY-JIB TUBE & QUICK DISC .....         | 1        |
| B 2      | 80490    | ASSY-INT'L. JIB TUBE & QUICK DISC .....  | 1        |
| B 3      | 81513    | ASSY - HOSE .....                        | 1        |
| 4        | 85966    | WELD ASSY - JIB SHELF .....              | 1        |

Recommend Parts: A=Truck Stock/B=Dist. Stock



**Oil Pan & Door Assembly - EEE-141**

| Item No. | Part No. | Description                         | Quantity |
|----------|----------|-------------------------------------|----------|
| A 1      | 74189    | O-RING-PICKUP TUBE.....             | 3        |
| 2        | 85969    | OIL BOX WELD ASSY - FULL VAT .....  | 1        |
| 2        | 89736    | OIL BOX WELD ASSY - SPLIT VAT ..... | 1        |
| 3        | 86065    | OIL BOX COVER ASSY .....            | 1        |
| 4        | 85163    | DOOR ASSY - EEX-141 .....           | 1        |
| 5        | 86566    | LID HANGER BRACKET STUD ASSY .....  | 1        |

Recommend Parts: A=Truck Stock/B=Dist. Stock

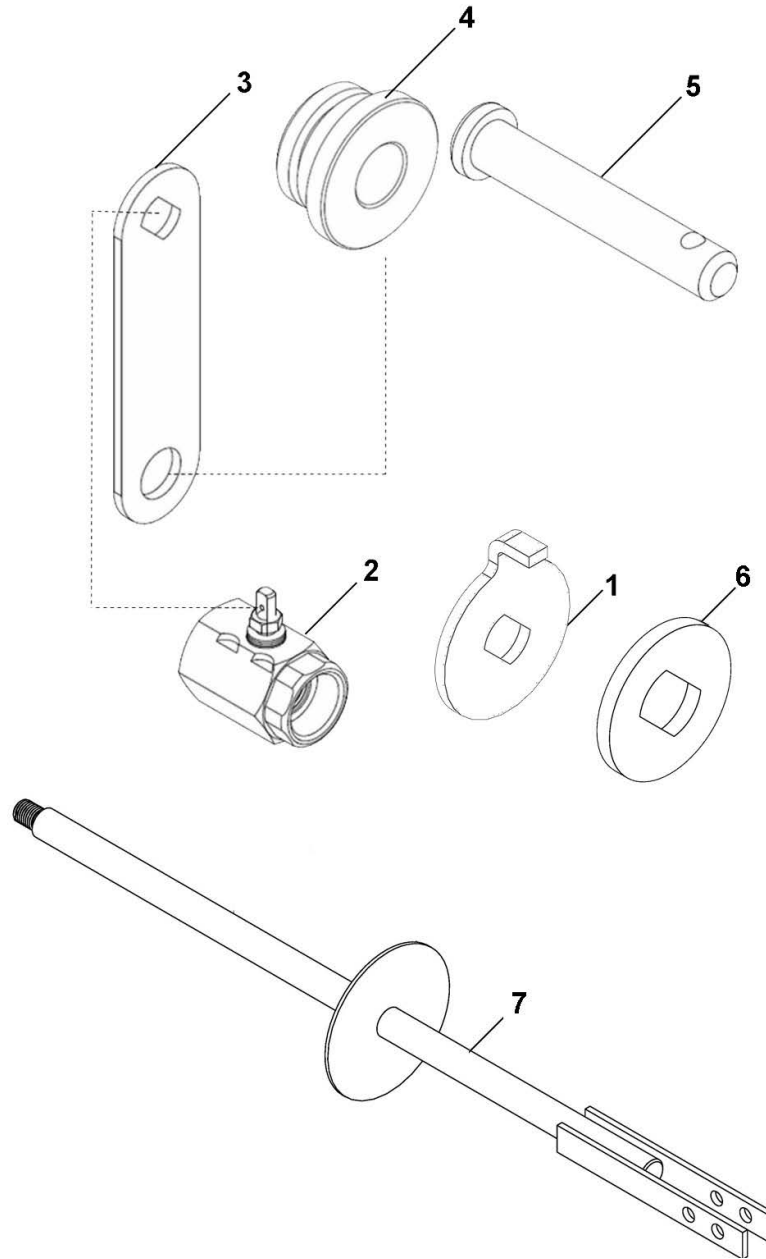


**Oil Management Components - EEE-141**

| Item No. | Part No. | Description   | Quantity |
|----------|----------|---|----------|
| A 1      | 74582    | VALVE - SOLENOID 220-240V - 1/2N (Vat Fill Solenoids) . | 1        |
| A 2      | 74469    | VALVE - CHECK - 1/2" (Vat Fill) .....                   | 1        |
| B 3      | 74583    | PUMP - OIL TOP OFF - 230V .....                         | 1        |
| 4        | 85777    | PUMP & MOTOR ASSY.....                                  | 1        |
| A        | 67583    | MOTOR - 1/2 HORSE.....                                  | 1        |
| B        | 17437    | PUMP - FILTER .....                                     | 1        |
| A        | 17476    | SEAL KIT .....  | 1        |

Recommend Parts: A=Truck Stock/B=Dist. Stock



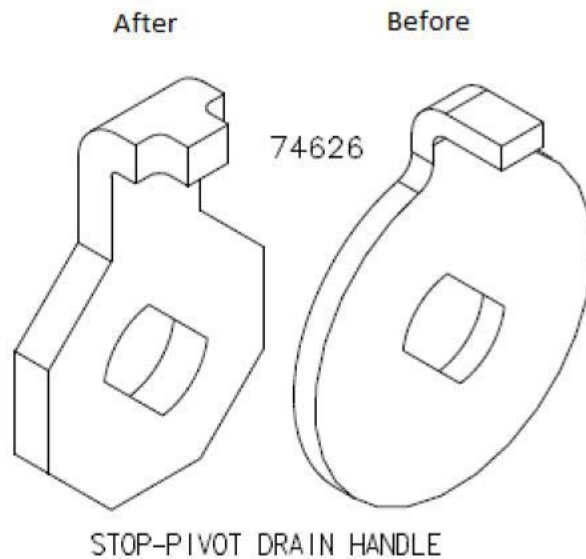


**Drain Valve Linkage Parts**

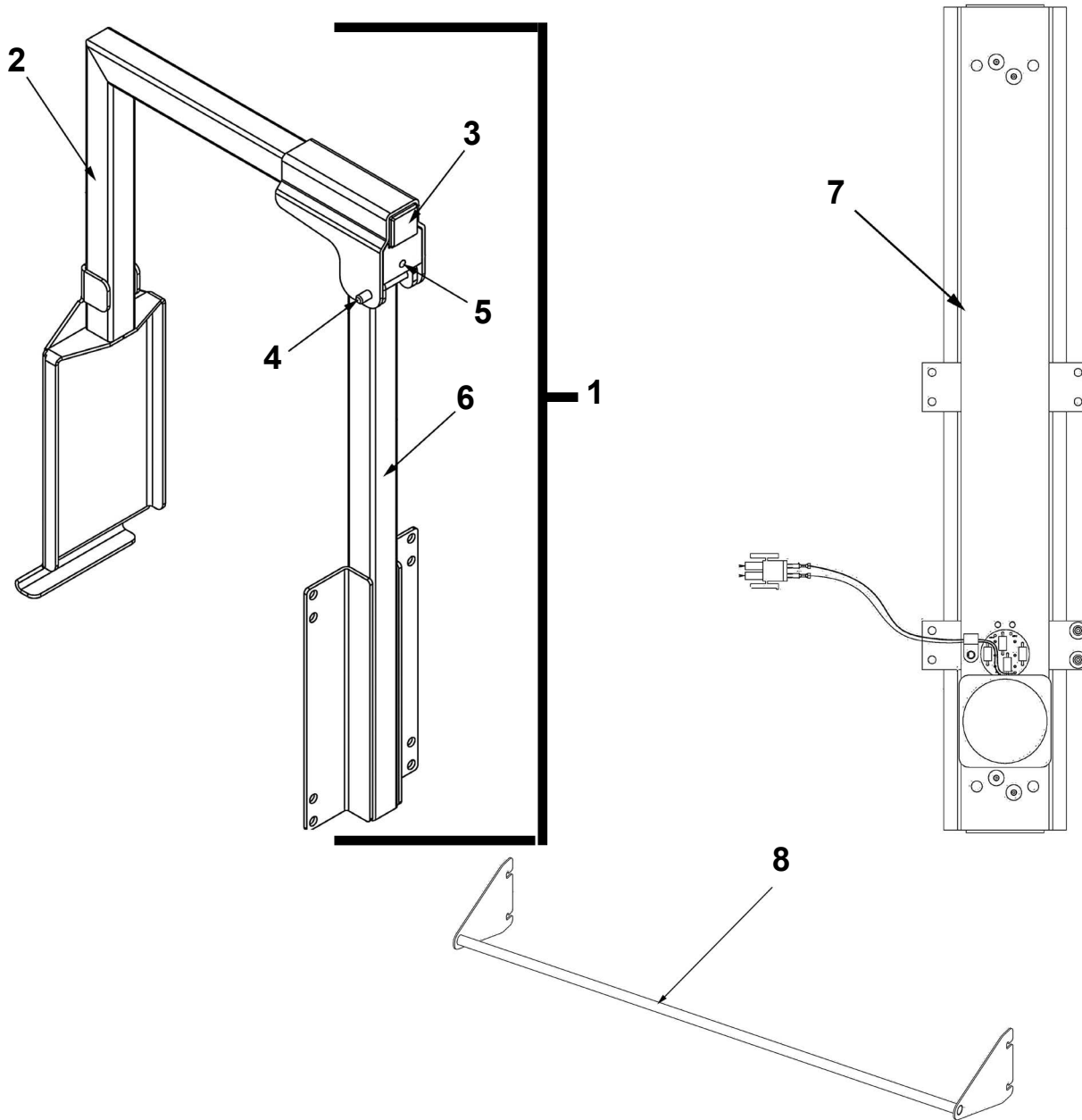
| Item No. | Part No. | Description  | Quantity |
|----------|----------|--|----------|
| 1        | XXXXX    | See Chart on next page                             | 1/vat    |
| B 2      | 79590    | VALVE-DRAIN 1.250 PORT W/O HDL                     | 1/vat    |
| B 2      | 83732    | VALVE-DRAIN 1-1/2 NPT X 1 NPT - <b>EEE141 ONLY</b> | 1        |
| B 2      | 81911    | ASSY-ACTUATOR DRAIN W/O-RINGS (Smart Touch)        | 1/vat    |
| A 3      | 73994    | HANDLE - PIVOT - DRAIN                             | 1/vat    |
| 4        | 74568    | PIVOT - BUSHING - ACTUATOR                         | 1/vat    |
| B 5      | PN01-012 | PIN - CLEVIS - 1/4 x 1 IN SS                       | 1/vat    |
| 6        | 74571    | SPACER - PIVOT DRAIN HANDLE                        | 1/vat    |
| 7        | 81183    | ASSY - DRAIN EXTENSION ROD                         | 1/vat    |
| 8*       | PN01-001 | PIN - COTTER                                       | 1/vat    |

Recommend Parts: A=Truck Stock/B=Dist. Stock / \*not shown

| <b>Pivot Stop Drain Handle</b>                   |  |  |                            |                         |
|--|--|--|----------------------------|-------------------------|
| <b>Models</b>                                    | <b>Kit / Part Numbers</b>                |  |                            |                         |
|  |  | 74626<br>17255<br>NS03-103               | 81753<br>17255<br>NS03-103 | 140175                  |
| <i>Full Vats:</i><br>EEE-141, 142,<br>143 & 144  | SN: BK1201020 &<br>After (Jan. 25, 2012) |  | Before SN:<br>BK1201020    |                         |
| <i>Split Vats:</i><br>EEE-141, 142,<br>143 & 144 |  | SN: BK1202011 &<br>After (Feb. 27, 2012) |                            | Before SN:<br>BK1202011 |

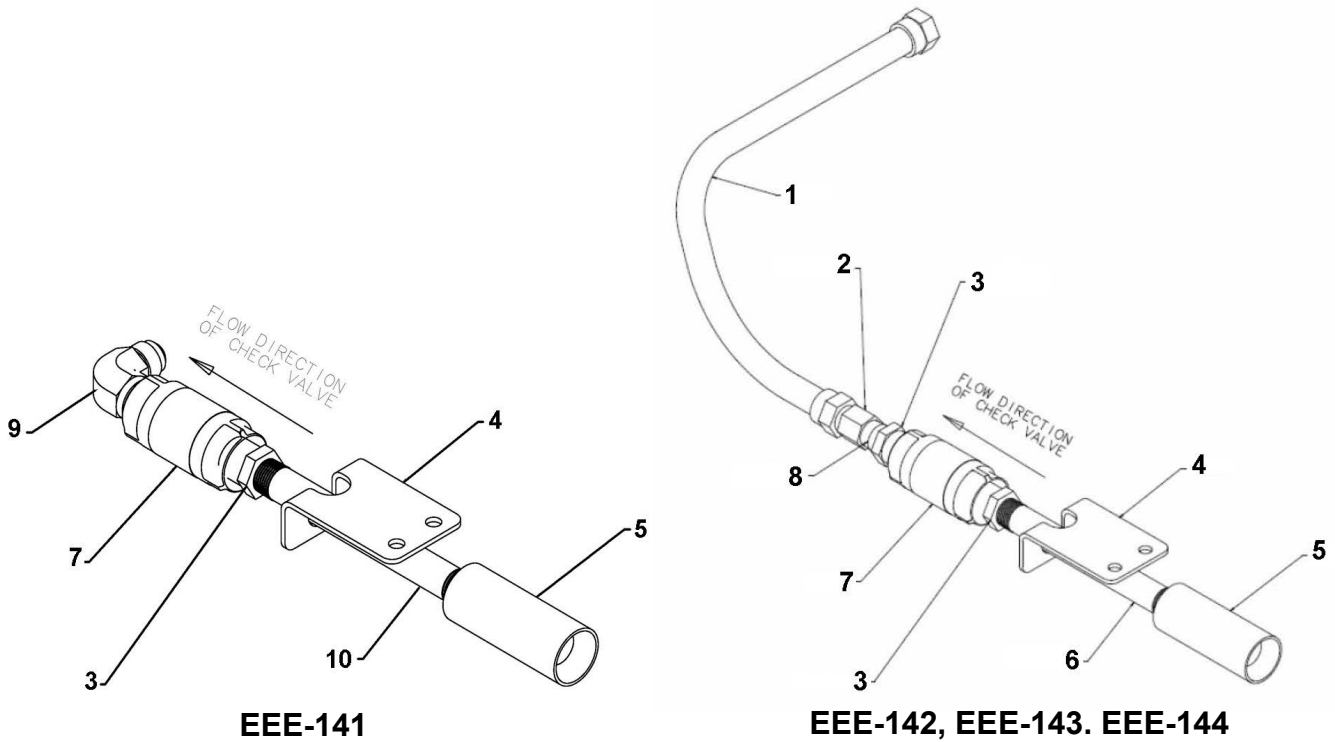


# AUTO-LIFT PARTS



| Item No. | Part No. | Description                                    | Quantity/Vat    |
|----------|----------|--|-----------------|
| 1        | 83982    | ASSY - BREAKAWAY HINGE.....                    | 2/full; 1/split |
| 2        | 84279    | WELD ASSY - HINGED BASKET HANGER .....         | 2/full; 1/split |
| 3        | 15212    | PLUG - TUBING SQUARE.....                      | 2/full; 1/split |
| 4        | 83925    | PIN - 1/4 x 2.25 HINGE.....                    | 2/full; 1/split |
| 4*       | MS01-578 | SHIM .....                                     | 6/full; 3/split |
| 5*       | SC01-267 | SCREW - 1/4-28 x 1 HEX HD SS .....             | 2/full; 1/split |
| 5*       | NS01-018 | NUT .....                                      | 2/full; 1/split |
| 6        | 83680    | WELD ASSY - BREAKAWAY HINGE .....              | 2/full; 1/split |
| B 7      | 85022    | ASSY - EE AUTOLIFT ACTUATOR & CONNECTOR.....   | 2/full; 1/split |
| 8        | 84470    | WELD ASSY - AUTOLIFT REAR GUARD - 2 WELL ..... | 1               |
| 8        | 84913    | WELD ASSY - AUTOLIFT REAR GUARD - 3 WELL ..... | 1               |
| 8        | 84918    | WELD ASSY - AUTOLIFT REAR GUARD - 4 WELL ..... | 1               |
| 9*       | 140273   | EE-AUTOLIFT ACTUATOR MOTOR .....               | A/R             |
| 9*       | 140274   | EE-AUTOLIFT ACTUATOR SWITCH.....               | A/R             |

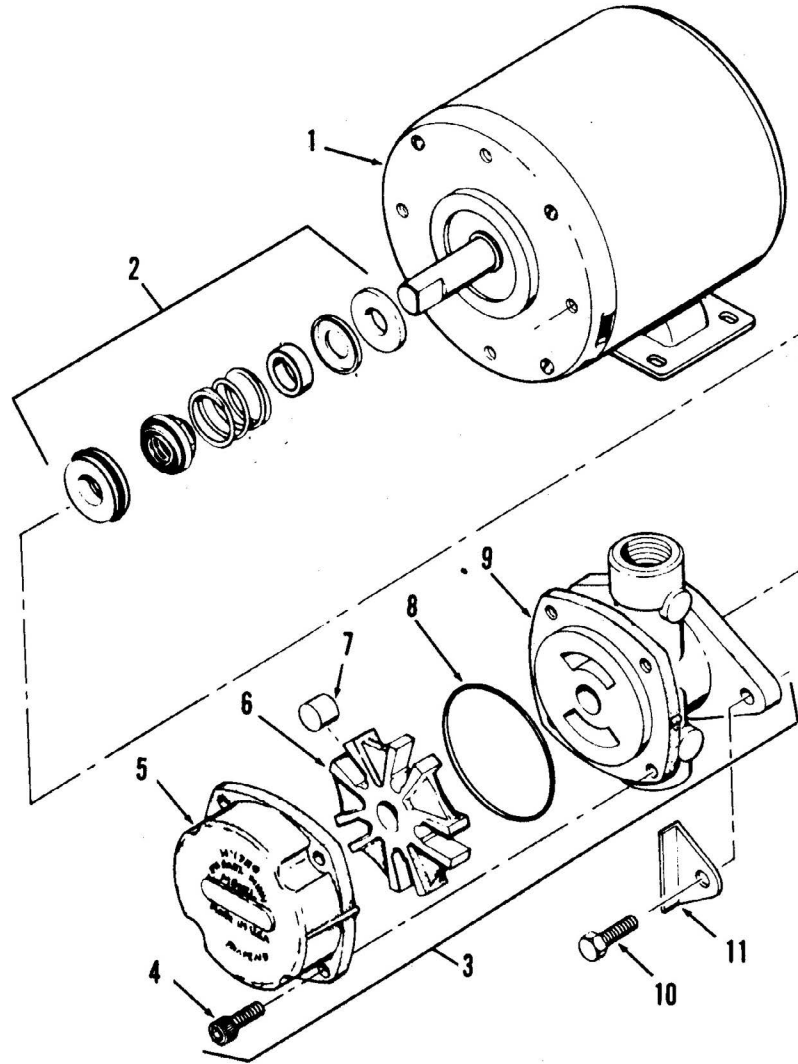
Recommend Parts: A=Truck Stock/B=Dist. Stock / \*not shown



**Filter Return Line Assembly**

| Item No. | Part No.  | Description                          | Quantity |
|----------|-----------|--------------------------------------|----------|
| 1        | 77523-002 | TUBE-SUCTION 18 IN L DORMONT.....    | 1        |
| 2        | FP01-206  | CONNECTOR-3/8 NPT FEM 45 FLARE ..... | 1        |
| 3        | FP01-029  | REDUCER 1/2NPT M-3/8NPT F SS .....   | 2        |
| 4        | 77259     | BRACKET-PLUG AND PLAY .....          | 1        |
| 5        | 77248     | ADAPTER-TUBE END .....               | 1        |
| 6        | FP01-204  | NIPPLE-3/8 NPT X 6IN L BLACK.....    | 1        |
| A 7      | 74469     | VALVE-1/2 CHECK.....                 | 1        |
| 8        | FP02-024  | NIPPLE-3/8 NPT CLOSE B.I. ....       | 1        |
| 9        | FP01-205  | ELBOW - 1/2 NPT .....                | 1        |
| 10       | FP02-087  | NIPPLE-3/8 NPT X 5 LG BI .....       | 1        |

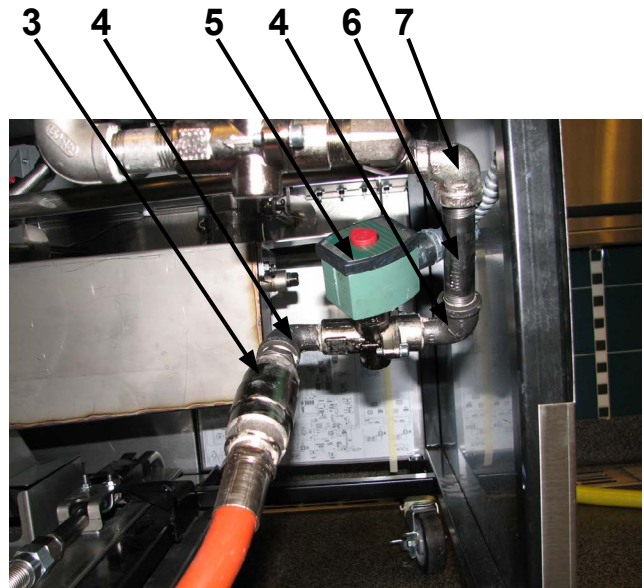
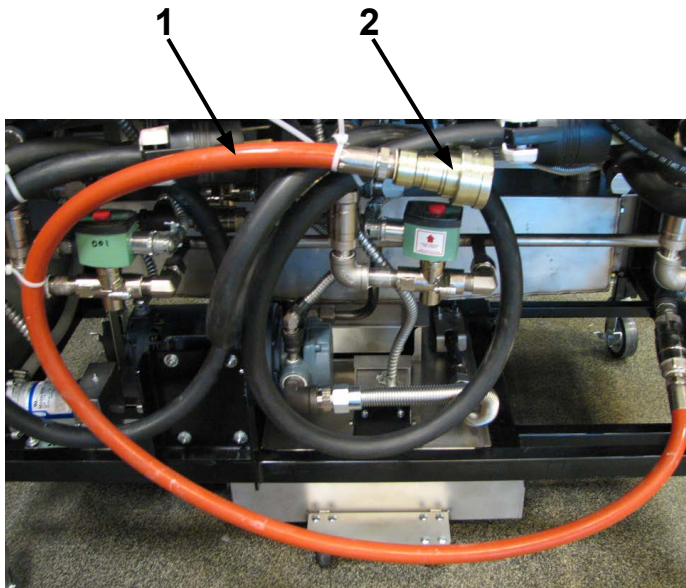
Recommend Parts: A=Truck Stock/B=Dist. Stock



**Filter Motor and Pump**

| Item No. | Part No. | Description                   | Quantity |
|----------|----------|-------------------------------|----------|
| A 1      | 67583    | MOTOR, 1/2 HP - 50/60 Hz..... | 1        |
| A 2      | 17476    | SEAL KIT.....                 | 1        |
| B 3      | 17437    | PUMP ASSEMBLY.....            | 1        |
| 4        | SC01-132 | SCREW, Pump Cover.....        | 1        |
| 5        | 17451    | COVER, Pump.....              | 1        |
| B 6      | 17447    | ROTOR, Pump.....              | 1        |
| A 7      | 17446    | ROLLER, Pump.....             | 5        |
| A 8      | 17453    | O-RING.....                   | 1        |
| 9        | 17454    | BODY, Pump.....               | 1        |
| 10       | 17456    | SHIELD, Pump.....             | 2        |
| 11       | SC01-026 | SCREW, Pump Shield.....       | 1        |

Recommend Parts: A=Truck Stock/B=Dist. Stock

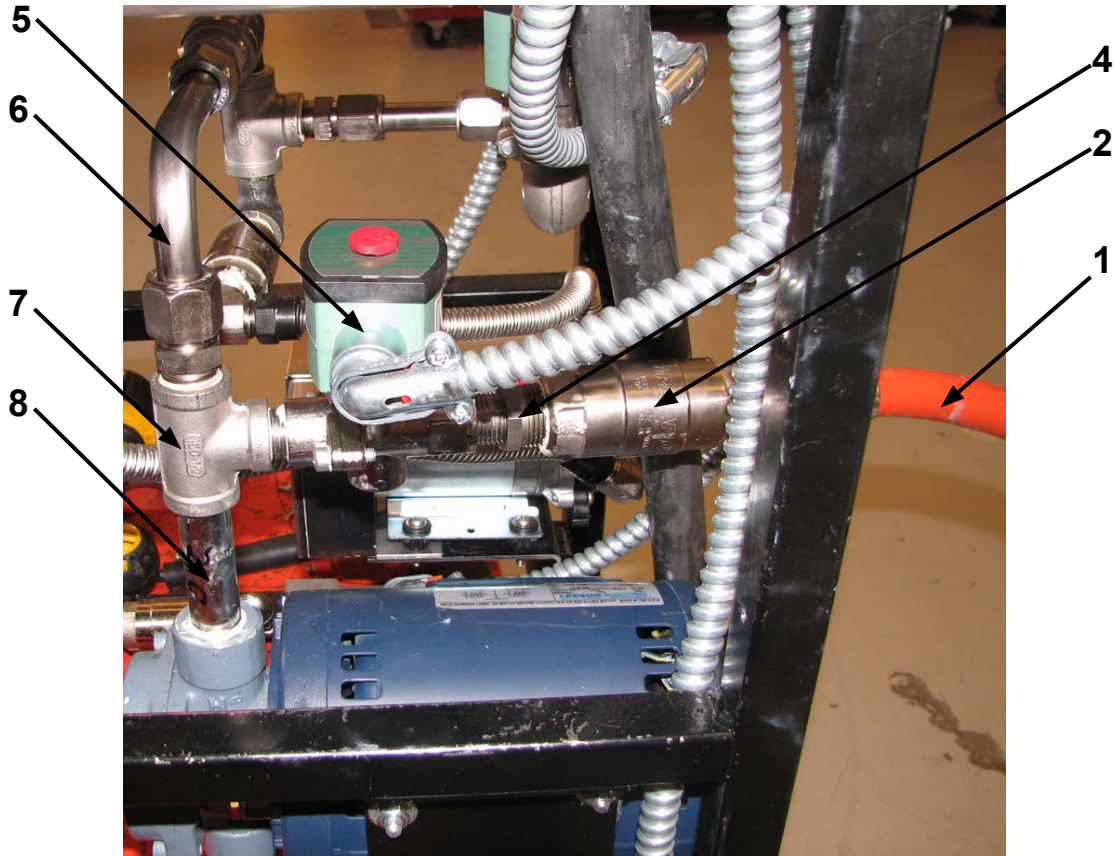


**Bulk Dispose - EEE-142, 143, 144**

| Item No. | Part No. | Description                                 | Quantity |
|----------|----------|---|----------|
| *        | 140053   | KIT - EEE BULK DISPOSE RETROFIT .....       | 1        |
| B 1      | 67662    | ASSY - DIRECT CONNECT HOSE .....            | 1        |
| B 2      | 21612    | DISCONNECT - FEMALE .....                   | 1        |
| B 3      | 21800    | VALVE - 3/4 CHECK.....                      | 1        |
| 4        | FP01-088 | ELBOW - STREET 1/2 X 90 BI .....            | 2        |
| B 5      | 74582    | VALVE - 220-240V - SOLENOID - 1/2 NPT ..... | 1        |
| 6        | FP02-052 | NIPPLE - 1/2 X 4 LG BI .....                | 1        |
| 7        | FP01-001 | ELBOW - REDUCING 1/2 TO 3/8.....            | 1        |
| B 8*     | 21611    | DISCONNECT - MALE.....                      | 1        |

Recommend Parts: A=Truck Stock/B=Dist. Stock

\* not shown



**Bulk Dispose - EEE-141**

| Item No. | Part No. | Description                                 | Quantity |
|----------|----------|---|----------|
| *        | 140118   | KIT - EEE-141 ONLY BULK DISPOSE .....       | 1        |
| B 1      | 67662    | ASSY - DIRECT CONNECT HOSE .....            | 1        |
| B 2      | 21800    | VALVE - 3/4 CHECK.....                      | 1        |
| B 3*     | 21612    | DISCONNECT - FEMALE.....                    | 1        |
| 4        | FP01-028 | NIPPLE - CLOSE 1/2 NPT SS 1 LG.....         | 2        |
| B 5      | 74582    | VALVE - 220-240V - SOLENOID - 1/2 NPT ..... | 1        |
| 6        | 88942    | ASSY - JIB PUMP TO CHECK VALVE TUBE .....   | 1        |
| 7        | FP01-011 | 1/2 NPT PIPE TEE 304 SS.....                | 1        |
| B 8      | 18226    | NIPPLE - 1/2 X 3-1/2 SS PIPE.....           | 1        |
| B 9*     | 21611    | DISCONNECT - MALE.....                      | 1        |

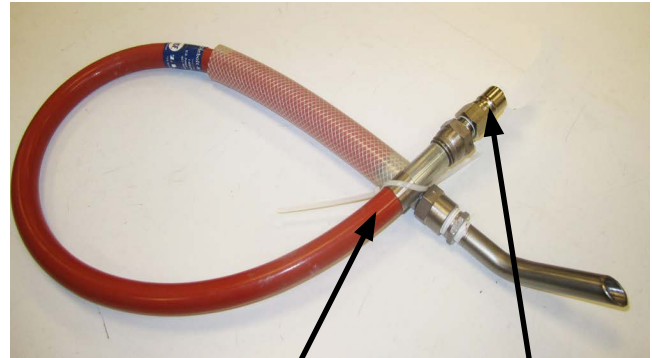
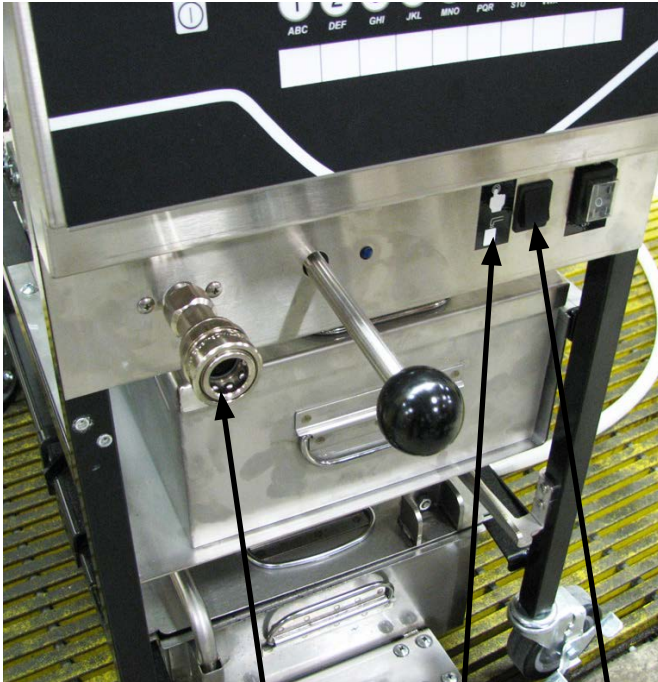
Recommend Parts: A=Truck Stock/B=Dist. Stock  
\* not shown

## Front Bulk Dispose - EEE-141 & 142 (Australia)

| <b>EEE-141 - FULL</b>  |                                |            | <b>EEE-142</b>  |                                |            |
|------------------------|--------------------------------|------------|-----------------|--------------------------------|------------|
| <b>Part No.</b>        | <b>Description</b>             | <b>Qty</b> | <b>Part No.</b> | <b>Description</b>             | <b>Qty</b> |
| B 17333                | RINSE HOSE DISCONNECT FEMALE   | 1          | B 17333         | RINSE HOSE DISCONNECT FEMALE   | 1          |
| B 74582                | VALVE-220-240V SOLENOID 1/2NPT | 1          | B 74582         | VALVE-220-240V SOLENOID 1/2NPT | 1          |
| 91353                  | ASSY-CHK VALVE MANF EEE-141 FD | 1          | 77523-008       | TUBE-SUCTION DORMONT-7 IN      | 1          |
| 16807                  | FITTING CONNECTOR MALE         | 1          | 91351           | ASSY-2WELL FS RET OIL CHK V FD | 1          |
| B 74469                | VALVE-1/2 CHECK                | 2          | 81878           | WELD ASSY-FS 2WELL MANIFOLD    | 1          |
| FP01-028               | NIPPLE, CLOSE 1/2 NPT SS 1 LG  | 2          | 81879           | ASSY-2WELL JIB OIL CHECK VALVE | 1          |
| FP01-088               | ELBOW-STREET 1/2 X 90 BL IRON  | 2          | 17407           | CONNECTOR 1/2 MALE ELBOW       | 1          |
| FP01-197               | CROSS-1/2 NPT BI               | 1          | B 74469         | VALVE-1/2 CHECK                | 1          |
| FP01-205               | ELBOW-1/2 IN NPT MALE 45 FLARE | 1          | 81876           | ASSY-JIB PUMP TO CHECK V TUBE  | 1          |
| FP01-035               | NIPPLE 1/2 NPT SS - 1 1/2 L    | 1          | FP01-029        | REDUCER 1/2NPT M-3/8NPT F SS   | 1          |
| FP01-206               | CONNECTOR-3/8 NPT FEM 45 FLARE | 1          | FP02-001        | NIPPLE 3/8 CLOSE               | 1          |
| FP01-238               | FTG-3/8 NPT STR 45 DEG FLARE   | 1          | 91350           | ASSY-2WELL RTN OIL CH VALVE FD | 1          |
| FP01-029               | REDUCER 1/2NPT M-3/8NPT F SS   | 1          | 16807           | FITTING CONNECTOR MALE         | 1          |
| 60344                  | FITTING-RETURN LINE MTG        | 1          | B 74469         | VALVE-1/2 CHECK                | 1          |
| 77523-011              | TUBE-SUCTION DORMONT 10.000    | 1          | 91167           | ASSY-142 RTN OIL TUBE FR DISP  | 1          |
| FP02-001               | NIPPLE 3/8 CLOSE               | 1          | FP01-029        | REDUCER 1/2NPT M-3/8NPT F SS   | 1          |
| SC01-031               | SCREW 1/4-20 X 3/4 PH THD      | 1          | FP01-087        | STREET ELBOW-3/8 NPT SS        | 1          |
|                        |                                |            | FP02-001        | NIPPLE 3/8 CLOSE               | 1          |
|                        |                                |            | FP01-121        | TEE-3/8NPT FEMALE SS           | 1          |
|                        |                                |            | FP01-206        | CONNECTOR-3/8 NPT FEM 45 FLARE | 1          |
|                        |                                |            | FP01-238        | FTG-3/8 NPT STR 45 DEG FLARE   | 1          |
|                        |                                |            | 60344           | FITTING-RETURN LINE MTG        | 1          |
|                        |                                |            | SC01-031        | SCREW 1/4-20 X 3/4 PH THD      | 2          |
|                        |                                |            | FP02-001        | NIPPLE 3/8 CLOSE               | 1          |
|                        |                                |            | FP01-029        | REDUCER 1/2NPT M-3/8NPT F SS   | 1          |
|                        |                                |            |                 |                                |            |
| <b>EEE-141 - SPLIT</b> |                                |            |                 |                                |            |
| <b>Part No.</b>        | <b>Description</b>             | <b>Qty</b> |                 |                                |            |
| 16807                  | FITTING CONNECTOR MALE         | 1          |                 |                                |            |
| B 17333                | RINSE HOSE DISCONNECT FEMALE   | 1          |                 |                                |            |
| 74582                  | VALVE-220-240V SOLENOID 1/2NPT | 1          |                 |                                |            |
| 77523-008              | TUBE-SUCTION DORMONT-7 IN      | 1          |                 |                                |            |
| 91192                  | WELD ASSY-141 SPLIT MANF FD    | 1          |                 |                                |            |
| FP01-122               | REDUCER 3/8 TO 1/2 B.I.        | 1          |                 |                                |            |
| FP01-206               | CONNECTOR-3/8 NPT FEM 45 FLARE | 1          |                 |                                |            |
| FP01-238               | FTG-3/8 NPT STR 45 DEG FLARE   | 1          |                 |                                |            |
| FP02-042               | NIPPLE-3/8 X 2 LG BI           | 1          |                 |                                |            |
| 60344                  | FITTING-RETURN LINE MTG        | 1          |                 |                                |            |
| FP01-029               | REDUCER 1/2NPT M-3/8NPT F SS   | 1          |                 |                                |            |
| FP02-001               | NIPPLE 3/8 CLOSE               | 1          |                 |                                |            |
| SC01-031               | SCREW 1/4-20 X 3/4 PH HD       | 2          |                 |                                |            |

Recommend Parts: A=Truck Stock/B=Dist. Stock  
\* not shown





1

2

3

4

5

**Front Bulk Dispose - EEE-141 (France)**

| Item No. | Part No. | Description                      | Quantity |
|----------|----------|----------------------------------|----------|
| B 1      | 17333    | DISCONNECT - FEMALE.....         | 1        |
| 2        | 84790    | LABEL.....                       | 1        |
| B 3      | 84987    | SWITCH - MOMENTARY - SPLASH..... | 1        |
| 4        | 140153   | ASSY - HOSE DISPOSE.....         | 1        |
| B 5      | 17334    | DISCONNECT - MALE.....           | 1        |

Recommend Parts: A=Truck Stock/B=Dist. Stock